

# DIPLOMA IN REFRIGERATION & A/C MECHANISM

## SYLLABUS

1. Fundamental of Electricity Types.
2. Circuit.
3. Current.
4. Transformer.
5. Motors.
6. Meters.
7. Capacitor.
8. Resistance.
9. Motor Types.
10. Relay.
11. Relay Checking.
12. Electric Motors.
13. Single Phase Motor Types.
14. Winding.
15. First 3 Types Electric Motor.
16. Last 2 Types of Electric Motor.
17. Terminal Checking.
18. OHMS Law.
19. Heat Unit.
20. Temperature Unit.
21. Pressure.
22. Pressure Unit
23. What is Refrigeration? (Heat Types)
24. Heat Transmission Method Explain.
25. Ton of Refrigeration.
26. Method of Refrigeration.
27. VCS Systems.
28. VAS Systems.
29. Method of Leak Testing.
30. Refrigerant Type.
31. General Properties of Peon Refrigeration.
32. Lubrication Type.
33. Condenser / Condenser Water Cooling.
34. Throttling Device.
35. Evaporator.
36. Cooling Tower.
37. NRE - Net Refrigerant Effect R22.
38. Electrical Parts of Refrigeration.
39. Mechanical Parts of Refrigeration.
40. Air Circulation.
41. Compressor.
42. Installation of window Air Conditioner.



43. **Hast of Compressor System**
44. **Terminal Checking.**
45. **Basic Refrigeration & Air Conditioning.**
46. **Refrigerant Type.**
47. **Method of Leak Testing.**
48. **Refrigerant Chemical Name.**
49. **Refrigerant Chemical Formula.**
50. **Central Properties of Freon Refrigeration**
51. **Fan Forced Condenser**
52. **Method for wiring for window A/C.**
53. **Method of refrigerant recovery.**
54. **Single door refrigerator wiring.**
55. **Double door refrigerator wiring.**
56. **Wire Mouth condenser.**
57. **Indoor Unit.**
58. **Plate type condenser.**
59. **Car A/C wiring.**
60. **Thermostat Control switch.**
61. **Door switch.**
62. **Receiver.**
63. **Deep Drowsing.**
64. **Duct.**
65. **Split Air Conditioner.**
66. **Package A/C.**
67. **Air Cooler.**
68. **Deep Freezer**
69. **Safety ice cream Machine**
70. **Stick Ice Machine**
71. **White Ice Plant.**
72. **Central plant A/C DX System.**
73. **Central plant chiller System.**
74. **Transport A/C.**
75. **Vacum.**
76. **Gas Charging.**
77. **Refrigeration Equipments.**
78. **Safety.**
79. **Blue Star.**
80. **Compressor Working type.**
81. **HVAC Tool.**
82. **HVAC Maintenance.**
83. **Clamp Metre.**
84. **Single door refrigeration.**
85. **Double door refrigeration.**
86. **Split A/C (installation Service and Engg.)**
87. **Window A/C (installation Service and Engg.)**
88. **Water Cooler.**



89. Deep Freezer.

90. Bottle Cooler.

91. Air Cooler.

92. Purpose of Air Condition.

93. Chiller type.

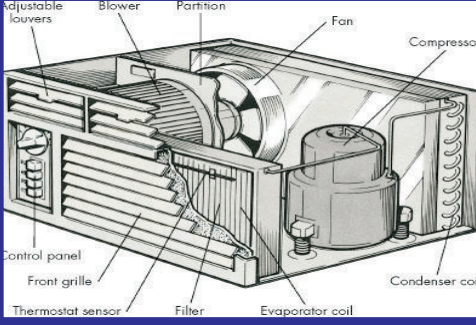
94. Blue Star Chiller Career Chiller.

95. Package Unit.

96. Automobile Air Condition.

97. Refrigerate Vehicles.

98. Cold Storage Air Condition.



TOTAL FEES	1 <sup>st</sup> INSTALMENT	2 <sup>nd</sup> INSTALMENT	3 <sup>rd</sup> INSTALMENT

தங்குமிடம் இலவசம்

உணவு உணவு வசதி உண்டு

## HEATING VENTILATING AIR CONDITIONING

1. HVAC EXPLAIN
2. OPERATING SYSTEM OF HVAC
3. WORKING SYSTEM IN HVAC
4. METHOD OF REFRIGERATION IN HVAC
5. HVAC TOOLS
6. REFRIGERANT USE OF HVAC
7. CHILLER PLANT OPERATING SYSTEM
8. CHILLER PLANT MAINTENCE
9. COMMISSIONING OF CHILLER
10. AHU OPERATING SYSTEM
11. AHU OPERATING SYSTEM
12. AHU MAINTENCE FOR CHILLER
13. DUCT SYSTEM
14. DX CHILLER FLOODED CHILLER
15. VAV, VCD & FIRE DAMBER
16. USE OF COMPRESSOR IN HVAC
17. USE OF COMPRESSOR IN CHILLER
18. TYPE OF IN HVAC COOLING TOWER
19. COOLING TOWERS AND SPARY PONDS
20. TYPES OF COOLING TOWERS
21. NATURAL DRAFT COOLING TOWERS
22. MECHANICAL DRAFT COOLING TOWERS
23. HUMIDIFIERS AND DEHUMDIFIERS
24. METHOD OF HUMIDIFICATION
25. MECHANICAL SEPRATION TYPE
26. AIR WASHER HUMIDIFIER
27. REDUCING THE AIR TEMPERATURE BELOW DPT
28. FAN AND BLOWERS
29. CENTRIFUGAL AND AXIAL FLOW PROPELLER FAN
30. EXPANSION DEVICES